

10kW VHF/FM SOLID STATE TRANSMITTER



The 10kW VHF/FM transmitter T3254 is designed for frequency modulated broadcasts, in mono or stereo, in the VHF frequency range of 87,5 to 108 MHz. Power classes 2,5 kW and 5 kW are available in this concept too.

10kW VHF/FM transmitter

Features:

- Solid state design utilizing TMOS FET's (transistors)
- Clearly arranged and easily accessible assemblies mounted in a 19" standard rack
- Exciter as synthesizer and control unit with μ P-control
- Serial interface for remote control is standard, BITBUS interface optional
- High redundancy due to modular configuration
- Low junction temperatures (< 100 °C) of the RF power transistors
- Each amplifier disposes of its own primary power supply unit
- Uninterrupted operation even on removal of single amplifiers and power supply units
- Control of mismatch and mains fluctuation via the primary power supply units
- Protective circuits for the RF power transistors providing foldback under high mismatch conditions allow a reliable operation
- High suppression of intermodulation products by using of 90° splitters and 90° combiners
- Efficient low noise forced air cooling
- Variety of intake and outlet solutions for forced air cooling

Set-up:

The 10kW VHF/FM transmitter consists of following assemblies:

- Exciter VHF/FM transmitter T 3270
- 4 x 2.5 kW RF amplifier SV 3254
- 4 x primary power supply unit NG 3254
- Control unit BG 3254 with control panel and central computer

The assemblies are integrated in a rack, dimensioned 2000 x 600 x 1000 mm (H x W x D).

The transmitter is air cooled. All air in- and outlet lines can be connected either bottom/bottom, bottom/top or top/top.

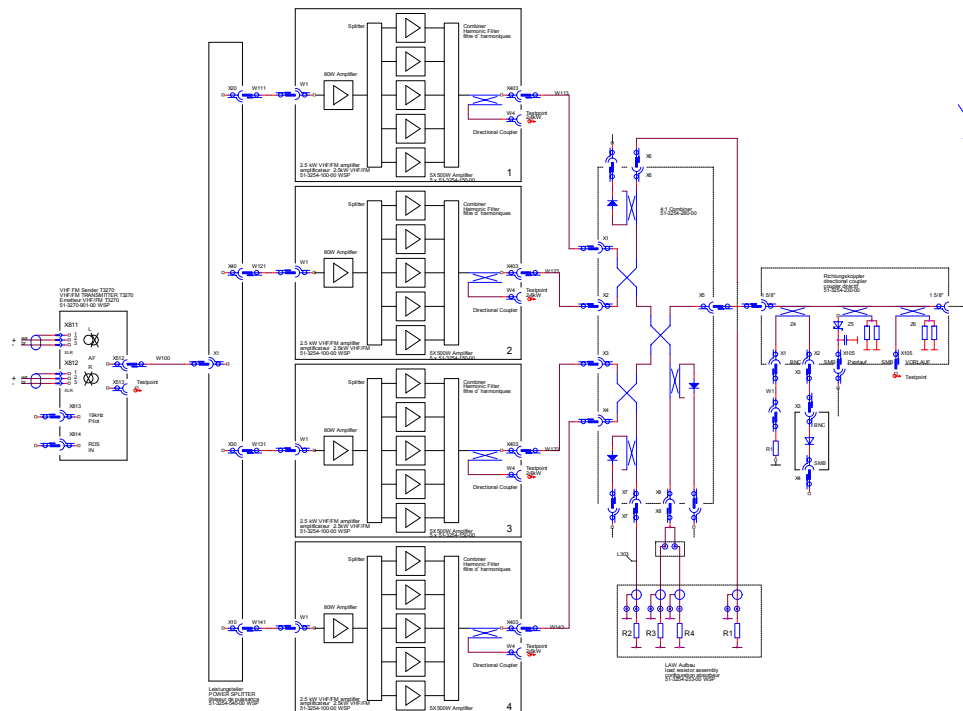
The distinct switching power supply units assigned to each of the 2.5 kW RF amplifier stages guarantee high redundancy and operational reliability and constitute a well proven concept of our company for years.

The transmitter’s modular set-up allows to accommodate in one rack either a 5 kW double transmitter in passive stand-by configuration, two single 5 kW transmitters or a 10 kW transmitter with dual exciter.

Principles of Operation:

The VHF/FM transmitter T 3270 of recent design will be used as exciter. Its performance characteristics determine the quality parameters of the transmitter as a whole.

The exciter power is distributed via a 1:4 splitter to the four two-stage 2.5 kW amplifiers S 3254. In each amplifier the exciter power is routed via a driver amplifier and a 0° splitter to five 500 W amplifiers, which are connected in parallel and are summarized to 2.5 kW output power with a combined 5 :1 combiner-harmonic filter. These 2.5 kW partial powers of each amplifier are paralleled to 10 kW in a multistage 90° combiner. Its load resistors are dimensioned for any failure of power amplifiers.



Schematic 10 kW VHF/FM transmitter

The directional coupler at the RF output, accommodating forward and reflected coupling loops, serves for RF power indication as well as for transmitter protection functions.

Under high mismatch conditions (VSWR >1.5 : 1) the output power is leveled down (foldback) to an appropriate value not endangering the transistors. Switch off is not initiated. A free RF measuring point is available for measuring purposes. Continued operation at reduced power takes place when power transistors or complete 2.5 kW modules fail.

The control unit CU 3254 serves for the transmitter's operational, control and monitoring functions. It is microprocessor controlled. Operational conditions are indicated by LEDs and an LCD. For remote control, the control unit incorporates a V.24/RS232C interface or optionally a BITBUS interface.



VHF/FM transmitter T 3270

Technical Data:

Frequency range	87.5 to 108 MHz
RF output	1-5/8"-EIA
RF output power	10 kW
RF output impedance	50 Ω
Harmonic suppression	> 80 dB
Intermodulation products	< 1 μW
Remote control via serial interface	V.24/RS232C
BITBUS interface	optional

Environmental Conditions:

Ambient temperature	performance data guaranteed operational	between - 5...+45°C
	storage	between -10...+55°C
		between -20...+70°C
Humidity	class F according to DIN 40040	≤ 95 %
	annual mean	≤ 75 %
Installation height		≤ 3000 m

Power Supply:

Mains	3/N/PE ~ 400 V	±10 %, 47 to 70 Hz
Power consumption at 10 kW RF power		≤ 16 kVA (without blower)
Power factor cos φ		≥ 0.9

Dimensions:

height (without blowers)	2000 mm
width	600 mm
depth	1000 mm

The transmitter fulfils the safety regulations for radio transmitters according to DIN VDE 0866 (EN 60215).

The exciter's technical data are defined in the separate data sheet of transmitter T 3270.